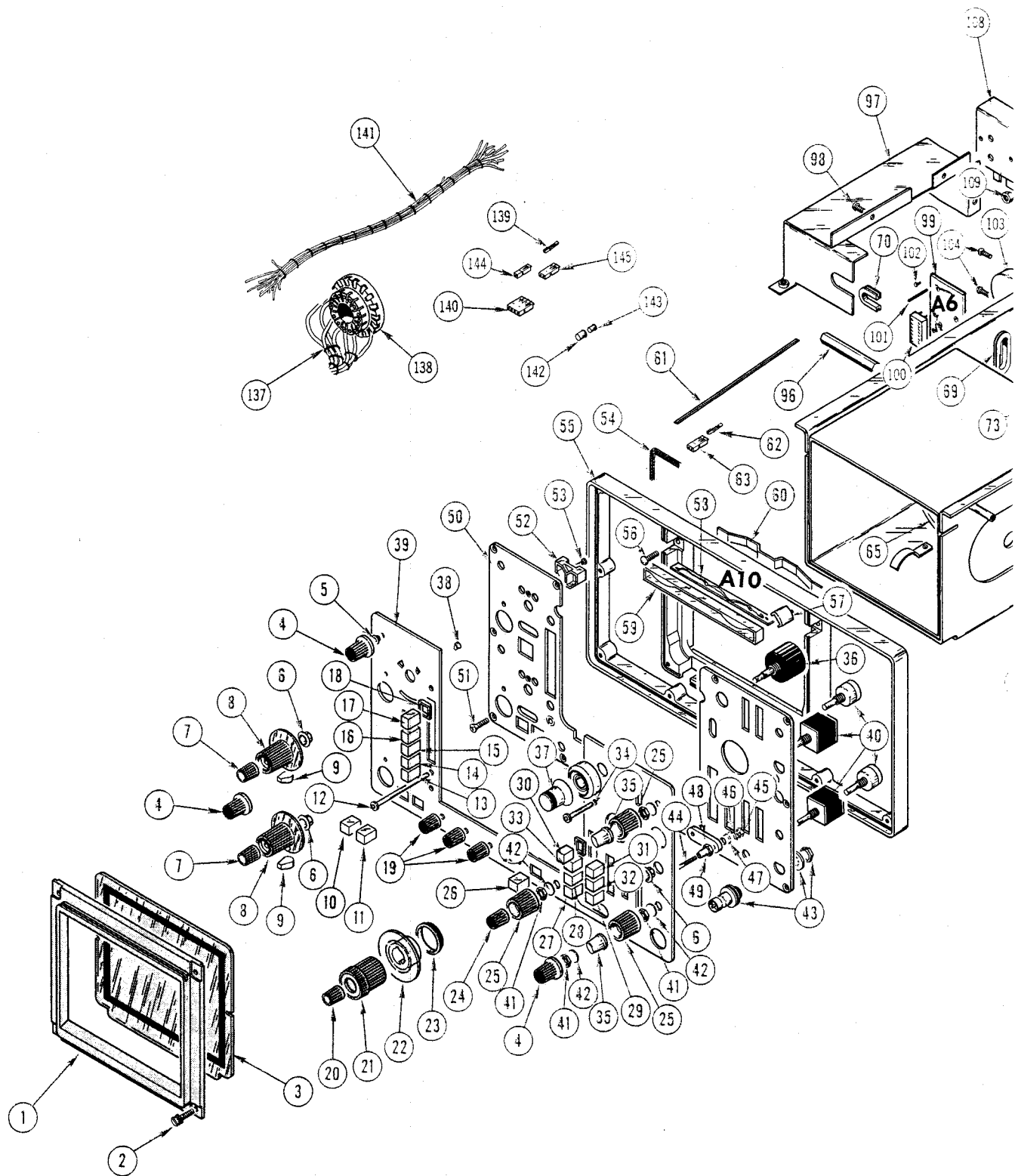
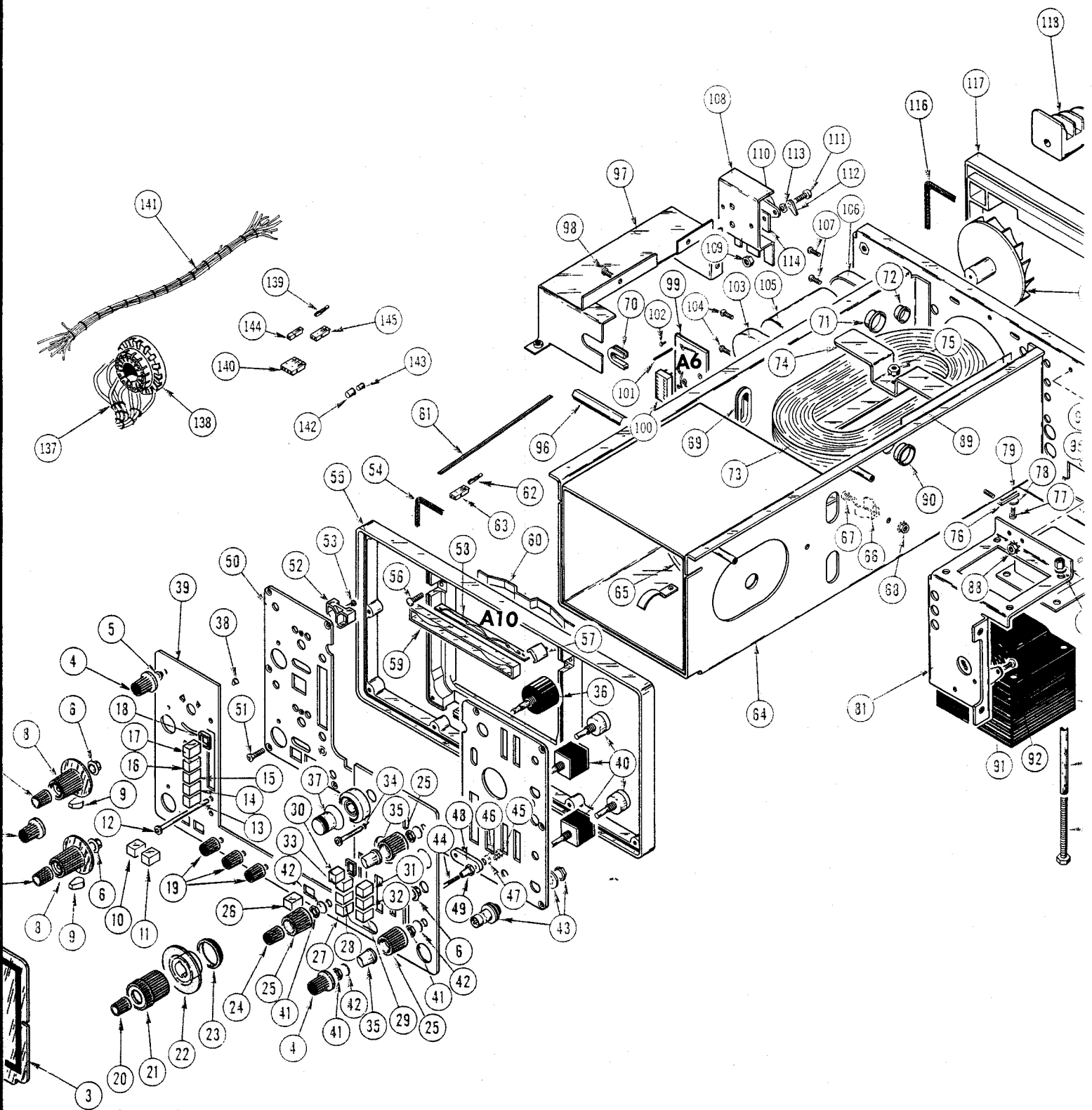
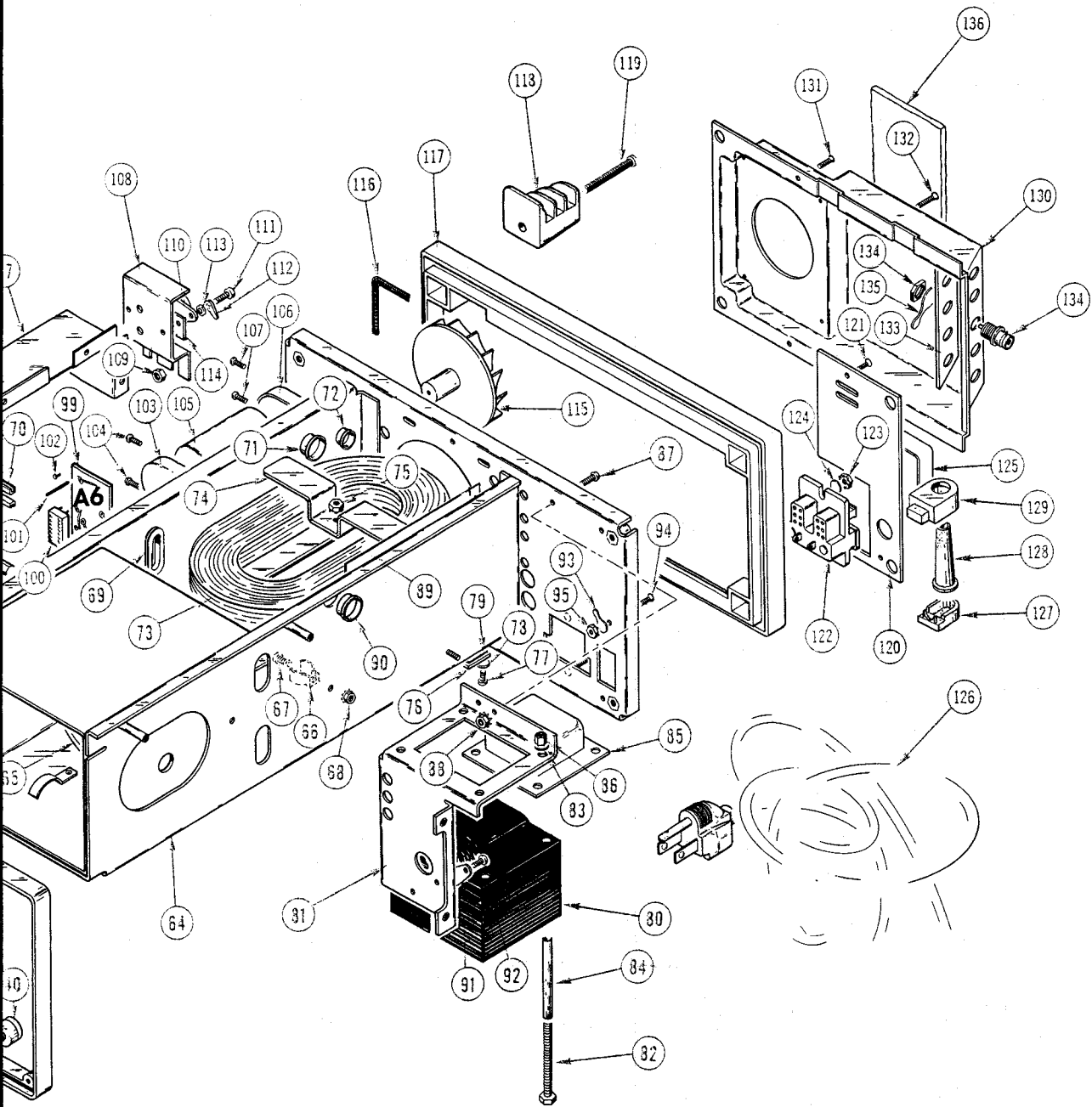


For Service Manuals
MAURITRON SERVICES
 8 Cherry Tree Road, Chinnor
 Oxfordshire, OX9 4QY.
 Tel (01844) 351694
 Fax (01844) 352554
 email: mauritron@diat.pipex.com







CABINET

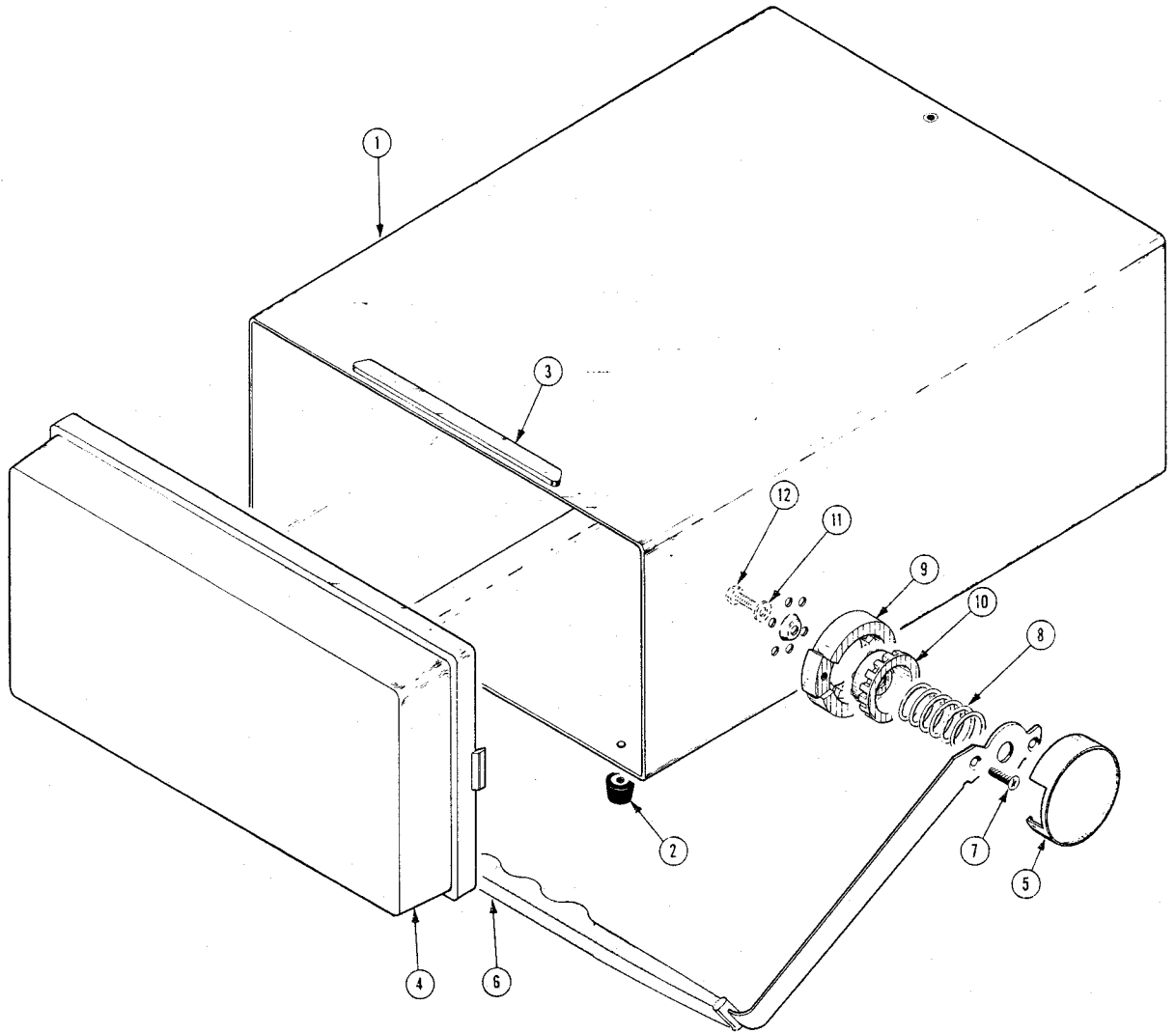


Fig. & Index No.	Tektronix Part No.	Serial/Model No. Eff	Dscnt	Qty						Name & Description	Mfr Code	Mfr Part Numl
					1	2	3	4	5			
-1	437-0141-00			1						CABINET,SCOPE:	80009	437-0141-00
-2	348-0080-01			4						. FOOT,CABINET:	80009	348-0080-01
-3	352-0263-00			1						. HLDR,POUCH ASSY:	80009	352-0263-00
-4	200-1412-00			1						COVER,SCOPE:FRONT	80009	200-1412-00
-5	200-0602-00			2						COVER,HINGE:	80009	200-0602-00
-6	367-0140-03			1						HANDLE,CARRYING:	80009	367-0140-03
-7	211-0512-00			4						SCREW,MACHINE:6-32 X 0.50" 100 DEG,FLH STL	83385	OBD
										(ATTACHING PARTS)		
										-----*		
	334-1998-00			1						PLATE,IDENT:	80009	334-1998-00
-8	214-0516-00			2						SPRING,HLCPS:0.959 DIA X 1.250 INCH LONG	80009	214-0516-00
-9	214-0513-00	B010100	B130599	2						INDEX,HDL RING:	80009	214-0513-00
	214-0513-04	B130600		2						INDEX,HDL RING:	80009	214-0513-04
-10	214-0515-00	B010100	B130599	2						GEAR,HDL INDEX:	80009	214-0515-00
	214-0515-02	B130600		2						GEAR,HDL INDEX:	80009	214-0515-02
										(ATTACHING PARTS FOR EACH)		
-11	210-0805-00	B010100	B099999	1						WASHER,FLAT:0.204 ID X 0.438 INCH OD,STL	12327	OBD
	210-1182-00	B100000		1						WSHR,SPR TNSN:0.218 ID X 0.69 INCH OD	80009	210-1182-00
-12	213-0139-00			1						SCR,CAP,HEX HD:10-24 X 0.375 INCH LONG	14438	OBD
										-----*		

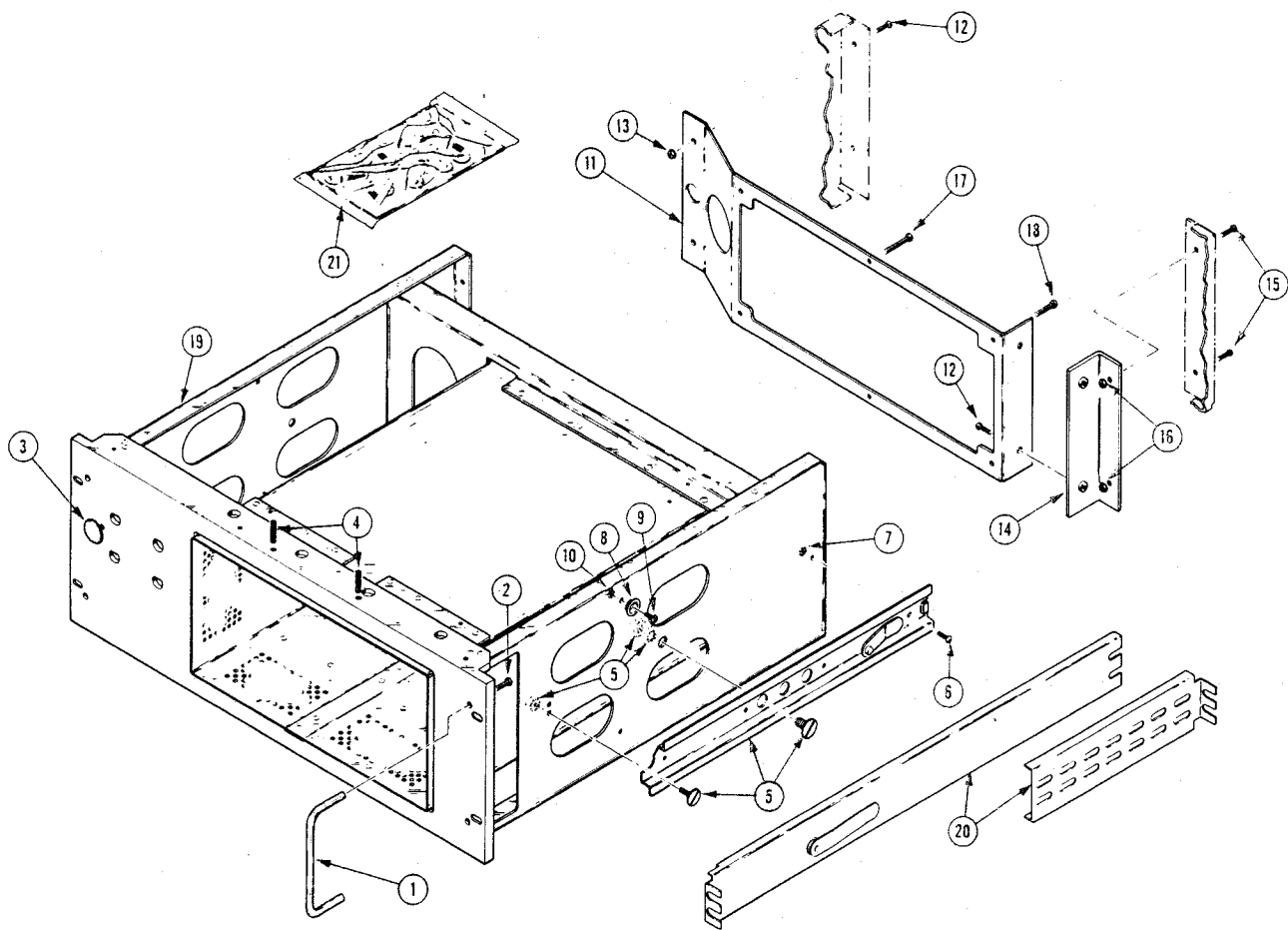
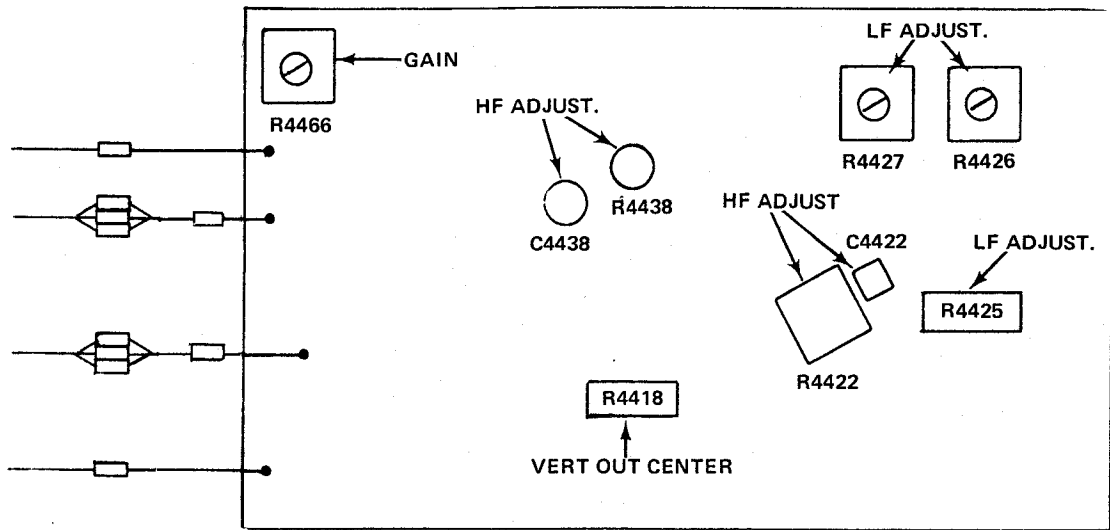


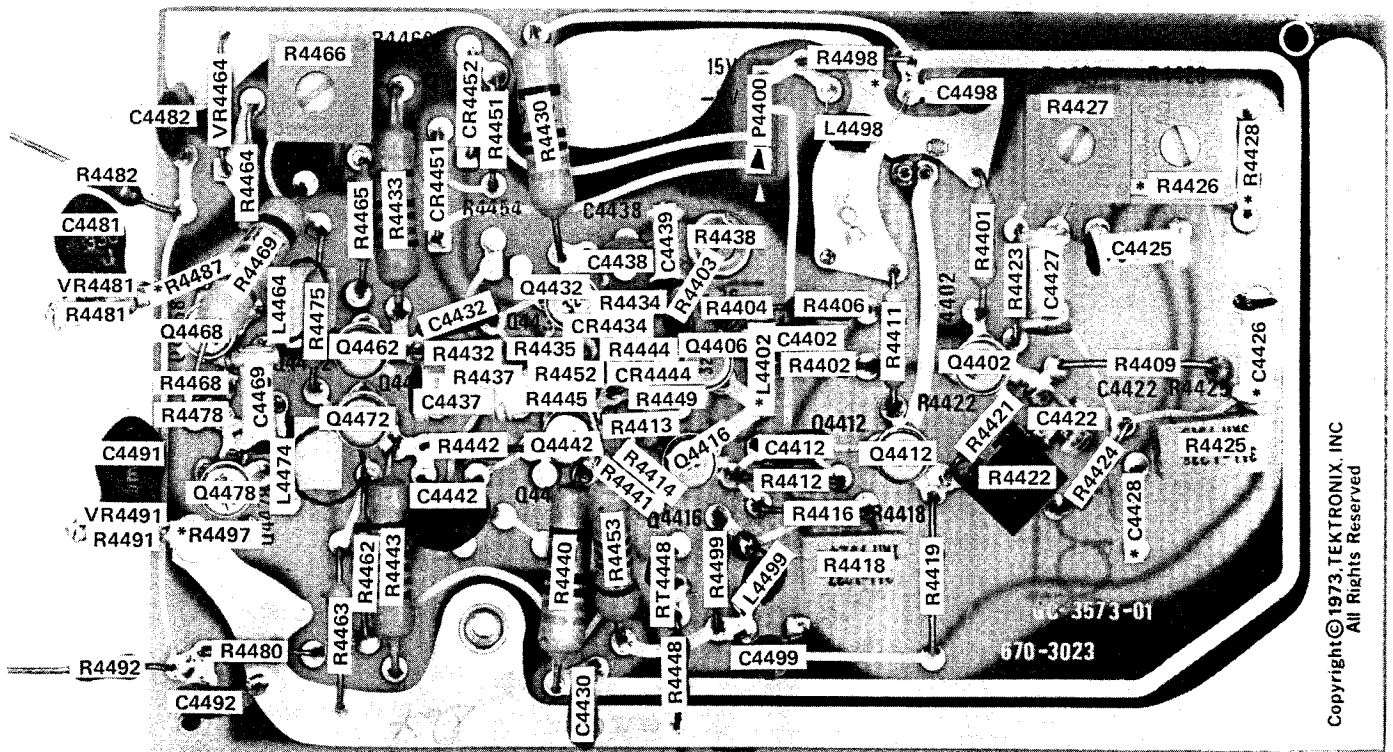
Fig. &
Index
No.

Fig. & Index No.	Tektronix Part No.	Serial/Model No. Eff	Dscnt	Qty	Name & Description					Mfr Code	Mfr Part Number
					1	2	3	4	5		
4-	016-0556-00			1	ADPTR, RACK MTG:KIT					80009	016-0556-00
-1	367-0022-00			2	. HANDLE, BOW:1.5 X 4.5 INCH (ATTACHING PARTS FOR EACH)					06540	10353-B-1032-25A
-2	213-0090-00			2	. SCREW, MACHINE:10-32 X 0.50 INCH, HEX -----*					83385	OBD
-3	134-0067-00			4	. BUTTON, PLUG:GRAY PLASTIC					80009	134-0067-00
-4	213-0334-00			2	. SETSCREW:0.250-28 X 0.750 INCH, SOC STL					56878	OBD
-5	351-0104-00			1	. SLIDE SECT., DWR:PAIR (ATTACHING PARTS)					80009	351-0104-00
-6	212-0023-00			2	. SCREW, MACHINE:8-32 X 0.375 INCH, PNH STL					83385	OBD
-7	210-0458-00			2	. NUT, PLAIN, EXT W:8-32 X 0.344 INCH, STL -----*					83385	OBD
-8	210-0808-00			2	. EYELET, METALLIC:CENTERING (ATTACHING PARTS FOR EACH)					63743	2515113-3TP-909
-9	211-0507-00			1	. SCREW, MACHINE:6-32 X 0.312 INCH, PNH STL					83385	OBD
-10	210-0457-00			1	. NUT, PLAIN, EXT W:6-32 X 0.312 INCH, STL -----*					83385	OBD
-11	386-2669-00			1	. SUPPORT, CABINET:REAR (ATTACHING PARTS)					80009	386-2669-00
-12	212-0023-00			4	. SCREW, MACHINE:8-32 X 0.375 INCH, PNH STL					83385	OBD
-13	210-0458-00			2	. NUT, PLAIN, EXT W:8-32 X 0.344 INCH, STL -----*					83385	OBD
-14	407-1350-00			1	. BRACKET, ANGLE:REAR (ATTACHING PARTS)					80009	407-1350-00
-15	212-0023-00			2	. SCREW, MACHINE:8-32 X 0.375 INCH, PNH STL					83385	OBD
-16	210-0458-00			2	. NUT, PLAIN, EXT W:8-32 X 0.344 INCH, STL -----*					83385	OBD
-17	211-0517-00			2	. SCREW, MACHINE:6-32 X 1 INCH, PNH, STL					83385	OBD
-18	212-0033-00			4	. SCREW, MACHINE:8-32 X 0.750 INCH, PNH STL					83385	OBD
-19	437-0154-01			1	. CABINET, SCOPE:					80009	437-0154-01
-20	351-0101-00			1	. SLIDE, DWR, EXT:PAIR					80009	351-0101-00
-21	016-0099-00			1	. HDW KIT, ELEK EQ:					80009	016-0099-00



(A)

REV. JUNE 1974



*See Parts List for serial number ranges.

REV. JUNE 1974

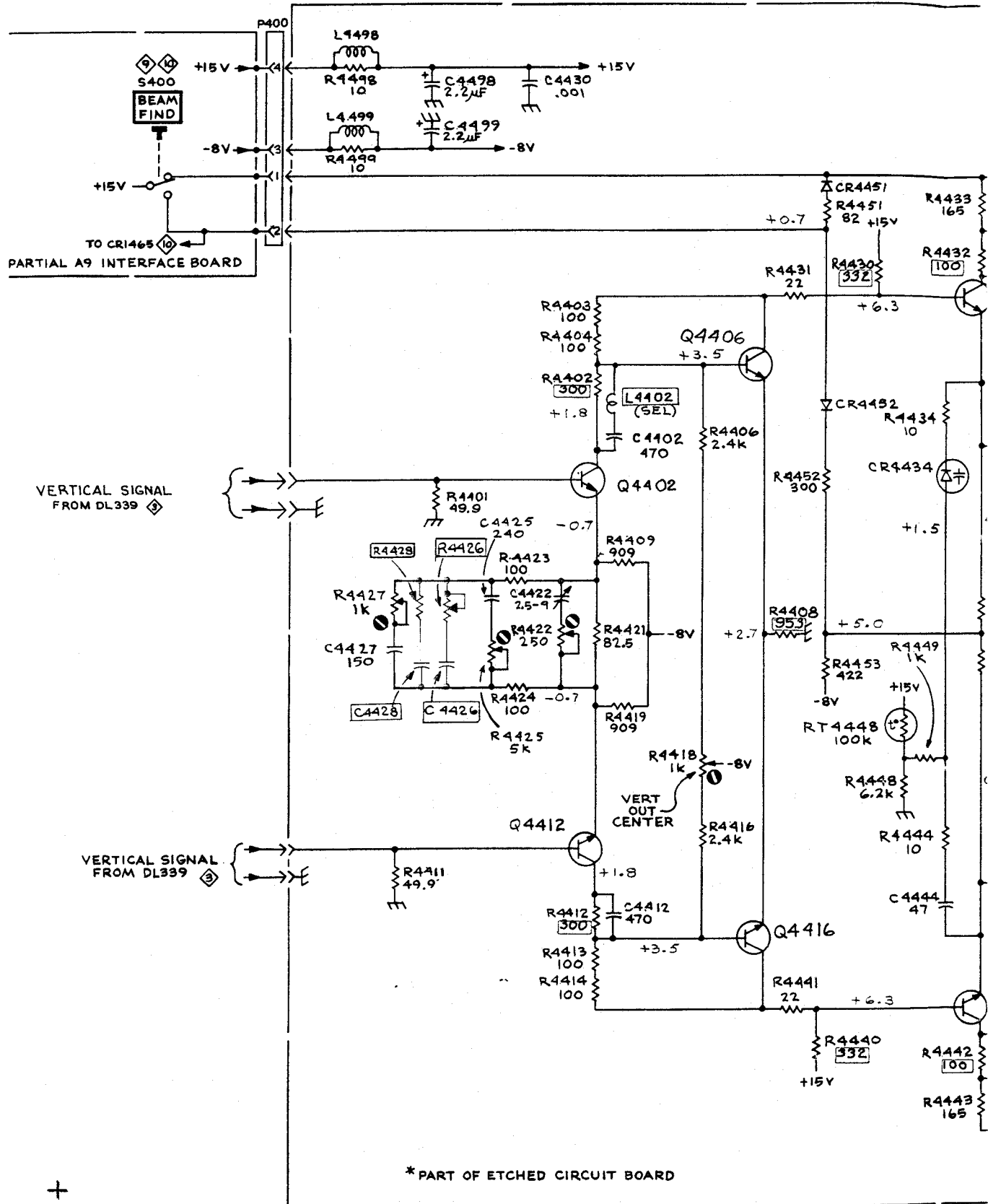
Located on back of board

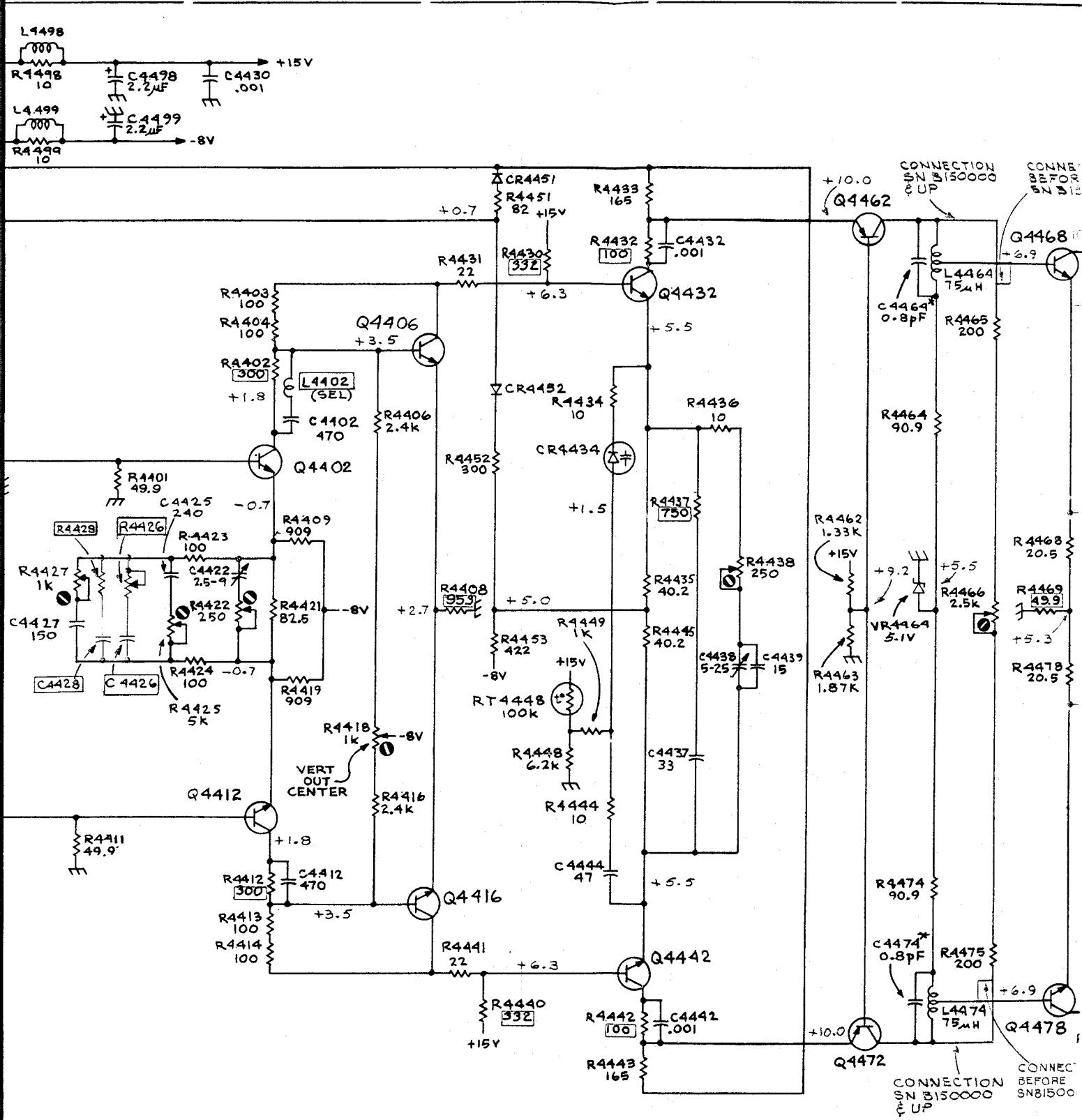
- R4474
- R4431
- R4436
- R4408

M20,159

Copyright © 1973, TEKTRONIX, INC. All Rights Reserved

(D)



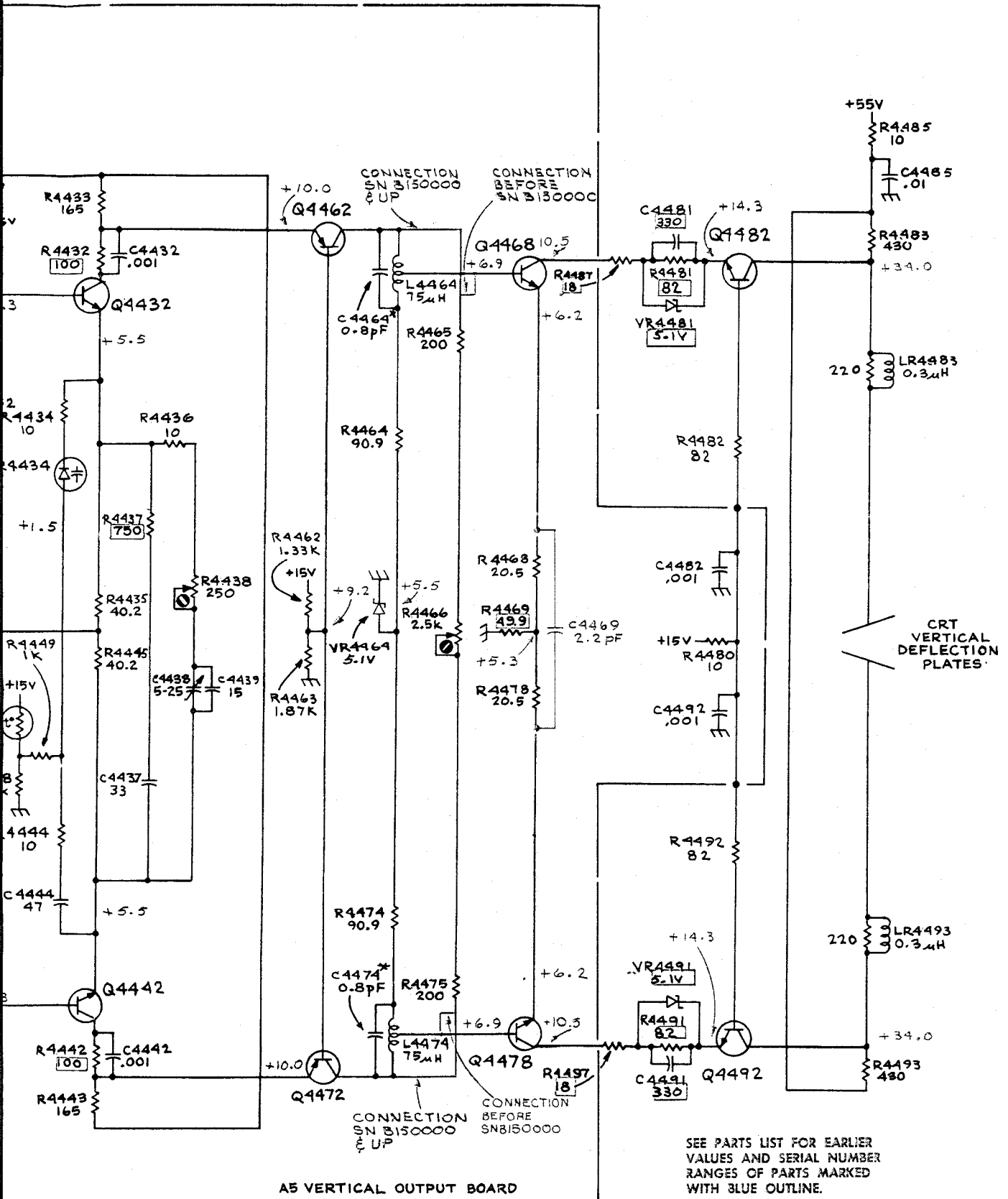


*PART OF ETCHED CIRCUIT BOARD

A5 VERTICAL OUTPUT BOARD


(E)

REV. JUNE 7
VERTICAL OUTPUT
 (B040000 AND UP)
 M 20159



A5 VERTICAL OUTPUT BOARD

SEE PARTS LIST FOR EARLIER VALUES AND SERIAL NUMBER RANGES OF PARTS MARKED WITH BLUE OUTLINE.

REV. JUNE 74
VERTICAL OUTPUT AMPLIFIER 
 (B040000 AND UP) 670-3023
 M20159

M20159 (670-3023)